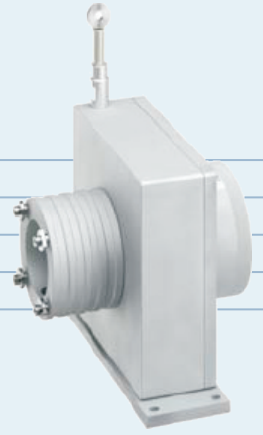


DWS150

DRAW WIRE ENCODER
SYSTEM

Heavy Duty Construction
Easy to Mount
Range of Encoder Mounting Options
Measure up to 6 meter length
0.05 mm Linear Resolution.
High Flex Stainless Steel Wire



MECHANICAL SPECIFICATIONS

| | |
|----------------------|----------------------------------|
| Body | Aluminum |
| Cable | Stainless Steel |
| Drum Circumference | 409.6 mm/turn |
| Measurement Range | 0 mm to 6,000 mm |
| Cable Diameter | 0.60 mm |
| Linearity (Standard) | +/-0.05% fs |
| Linearity (Optional) | +/-0.01% fs |
| Velocity(Max) | 10 m/s |
| Acceleration(Max) | 5 m/s (before cable deformation) |
| Operating Temp. | -20°C to +80°C |
| Storage Temp. | -30°C to +80°C |
| Weight | 3 kg |

ORDERING CODE

DWS 150 - [] [] [] [] [] [] [] [] - [] [] [] []
a b c d e f g h Encoder Resolution

a Group Function

DWS=Draw Wire System

b Basic Series Number

150

c Measurement Length

010=1000 mm, 015=1500 mm
030=3000 mm, 060=6000 mm

d Linearity

0=+/- 0.05% full scale (standard)

e Measurement Type

I=Incremental Encoder
B=Absolute Encoder - Binary Code
G=Absolute Encoder - Gray Code

f Connection Type

0=Cable (2 meter), 7=12 Pin

g Output Signals

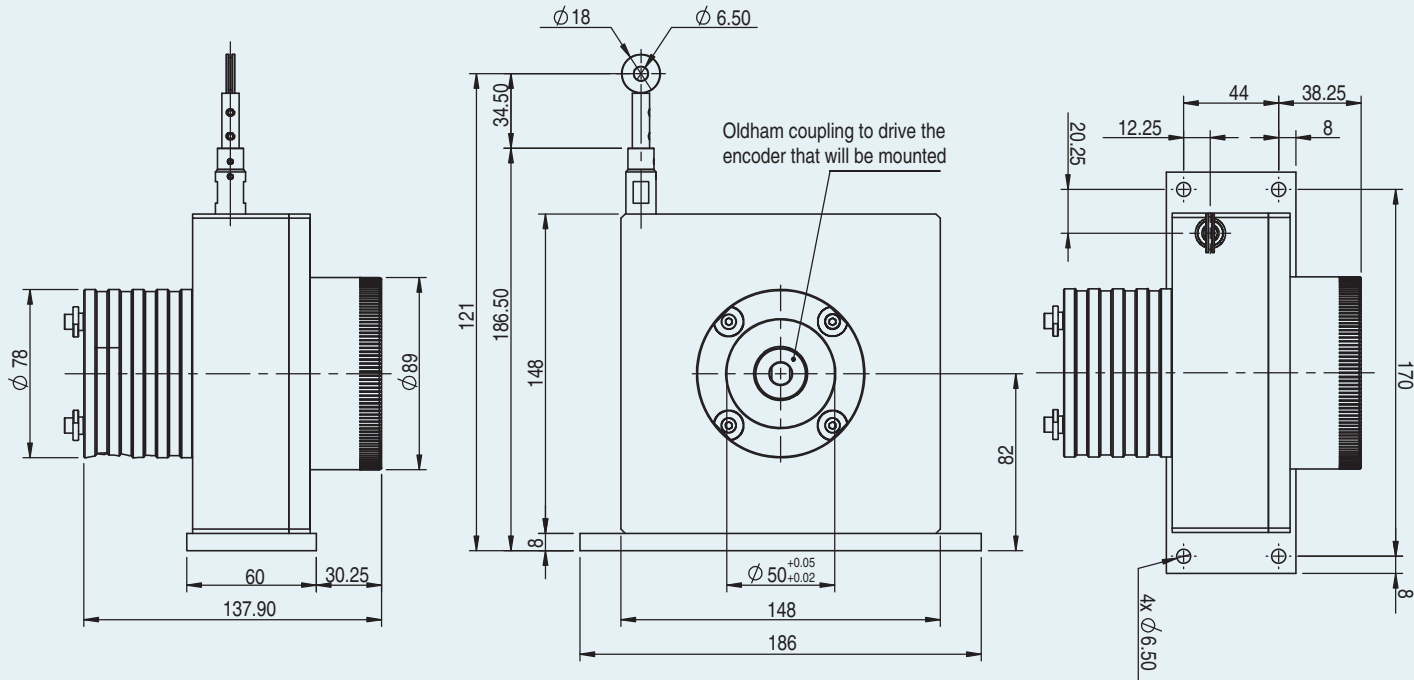
3=A+B+Z
6=A+B+Z+Complementary
J=Binary Code - SSI
Y=Gray Code - SSI

h Output Circuit Type

1=Push-Pull 5 Vdc
3=Push-Pull 4,75 to 30 Vdc
5=Push-Pull 8 to 30 Vdc
F=SSI 5 Vdc
G=SSI 10 to 30 Vdc

Notes:

To determine encoder resolution use the following formula:
Drum Circumference / Resolution (mm) = Encoder PPR



CONNECTIONS FOR INCREMENTAL ENCODERS

| Function | Cable Colour Code | 12 Pin Connector |
|-----------|-------------------|------------------|
| 0 Volt | white | 1 |
| + Volt | brown | 2 |
| A | green | 3 |
| B | yellow | 4 |
| Z | grey | 5 |
| \bar{A} | pink | 6 |
| \bar{B} | blue | 7 |
| \bar{Z} | red | 8 |

CONNECTIONS FOR SSI ABSOLUTE ENCODERS

| Function | Cable Color Code | 12 Pin Connector |
|-------------------|------------------|------------------|
| GND | WHITE | 1 |
| + Vcc | BROWN | 2 |
| SSI Clock + | GREEN | 3 |
| SSI Clock - | YELLOW | 4 |
| SSI Data + | GREY | 5 |
| SSI Data - | PINK | 6 |
| Reset/Preset | BLUE | 7 |
| Direction Setting | RED | 8 |