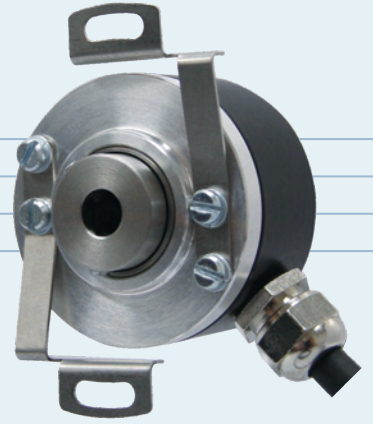


# IH 360

INCREMENTAL  
HOLLOW SHAFT ENCODER

Miniature Design  
Shaft Mounted  
3600 PPR Maximum  
4.75 to 30 Volts, RS 422 Compatible  
100 kHz Maximum Frequency



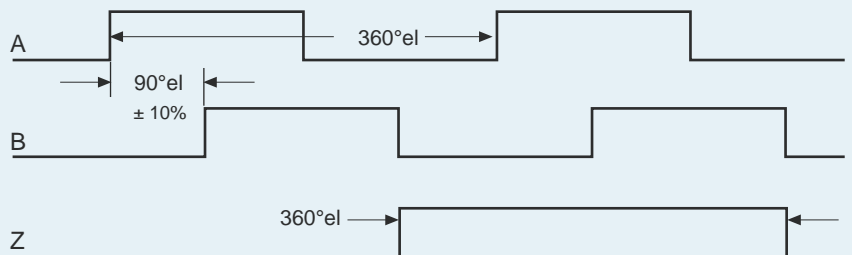
## ELECTRICAL SPECIFICATIONS

Supply Voltage	4.75-30Vdc
Current Consumption	max. 40 mA
Output Circuit	Push-Pull, RS 422A
Impulse Frequency	100 kHz (max)
Signal Level (high)	Vcc - 0.7 Volt
Signal Level (low)	0.3 Volt (max)
Short Circuit Protection	100%

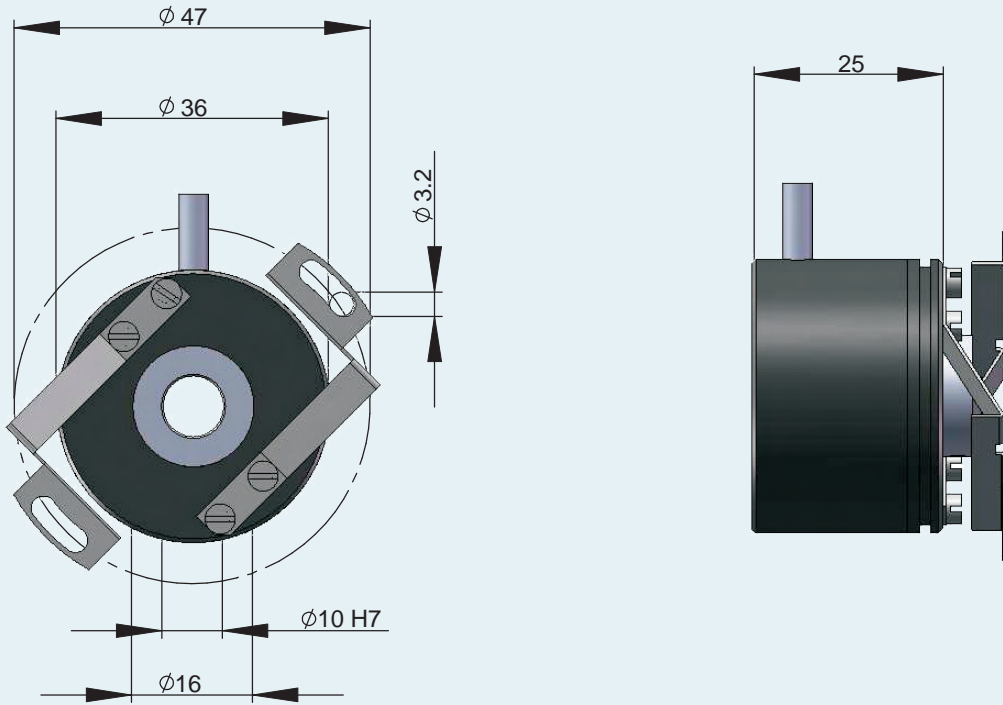
## MECHANICAL SPECIFICATIONS

Cover	Aluminum
Body	Aluminum
Shaft	Stainless Steel
Speed	6000 RPM Max.
Torque	> 0.04 Nm
Loading	Axial 15 N, Radial 20 N
Protection	IP 65
Temperature	-20° ...+70° C (-4°...+158° F)
Weight	130 g (0.29 lb)

## OUTPUT SIGNALS



A leads B in the Clockwise Direction (facing shaft set screw side)  
Complementary Signals are also available



ORDERING CODE

IH
360
-






-

a    b    c    d    e    f    g    h    Pulses Per Revolution

- a Group Function**  
 IH=Incremental Hollow Shaft
- b Basic Series Number**  
 360
- c Shaft Size**  
 AA=1/4", AB=3/8"  
 06=06 mm, 10=10 mm
- d Mechanical Options**  
 0=None

- e Connection Type**  
 0=6' (2Mtr) Cable
- f Connection Location**  
 R=Radial
- g Output Signals**  
 3=A+B+Z  
 6=A+B+Z+Complementary
- h Output Circuit Type**  
 3=Push-Pull 4.75 to 30 Vdc

**Notes:**  
 Special functions and designs will be designated by a 4 digit code at the end of the part number. Consult factory for further details  
 Resolution over 5000 PPR uses interpolation circuitry  
 Please specify supply voltage 5Vdc or 8 to 30Vdc

CONNECTIONS

Function	Cable Colour Code
0 Volt	white
+ Volt	brown
A	green
B	yellow
Z	grey
$\bar{A}$	pink
$\bar{B}$	blue
$\bar{Z}$	red